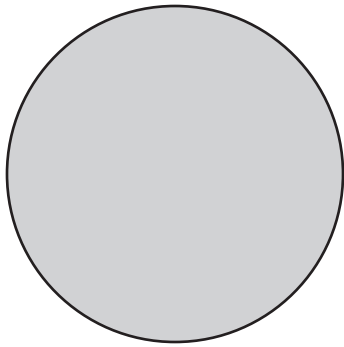


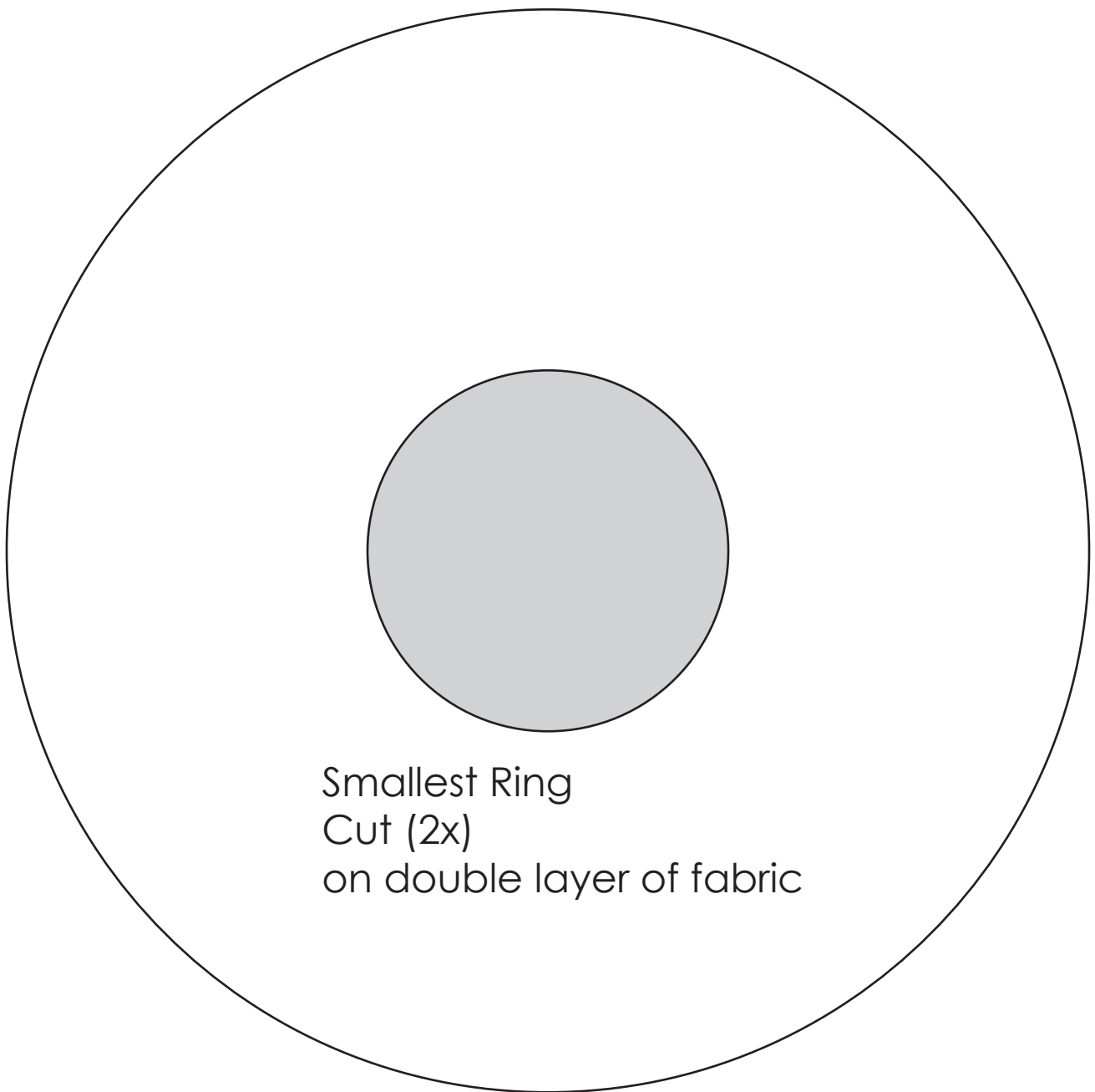
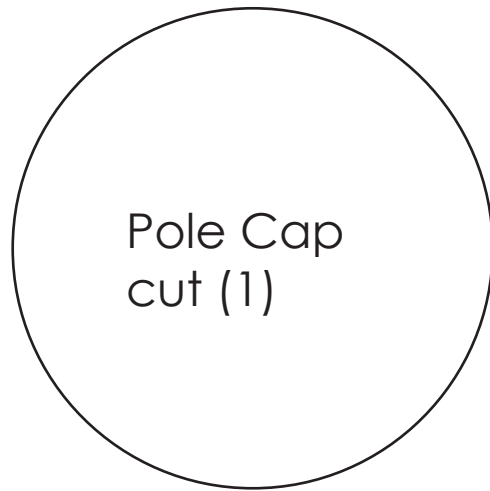
Base Top

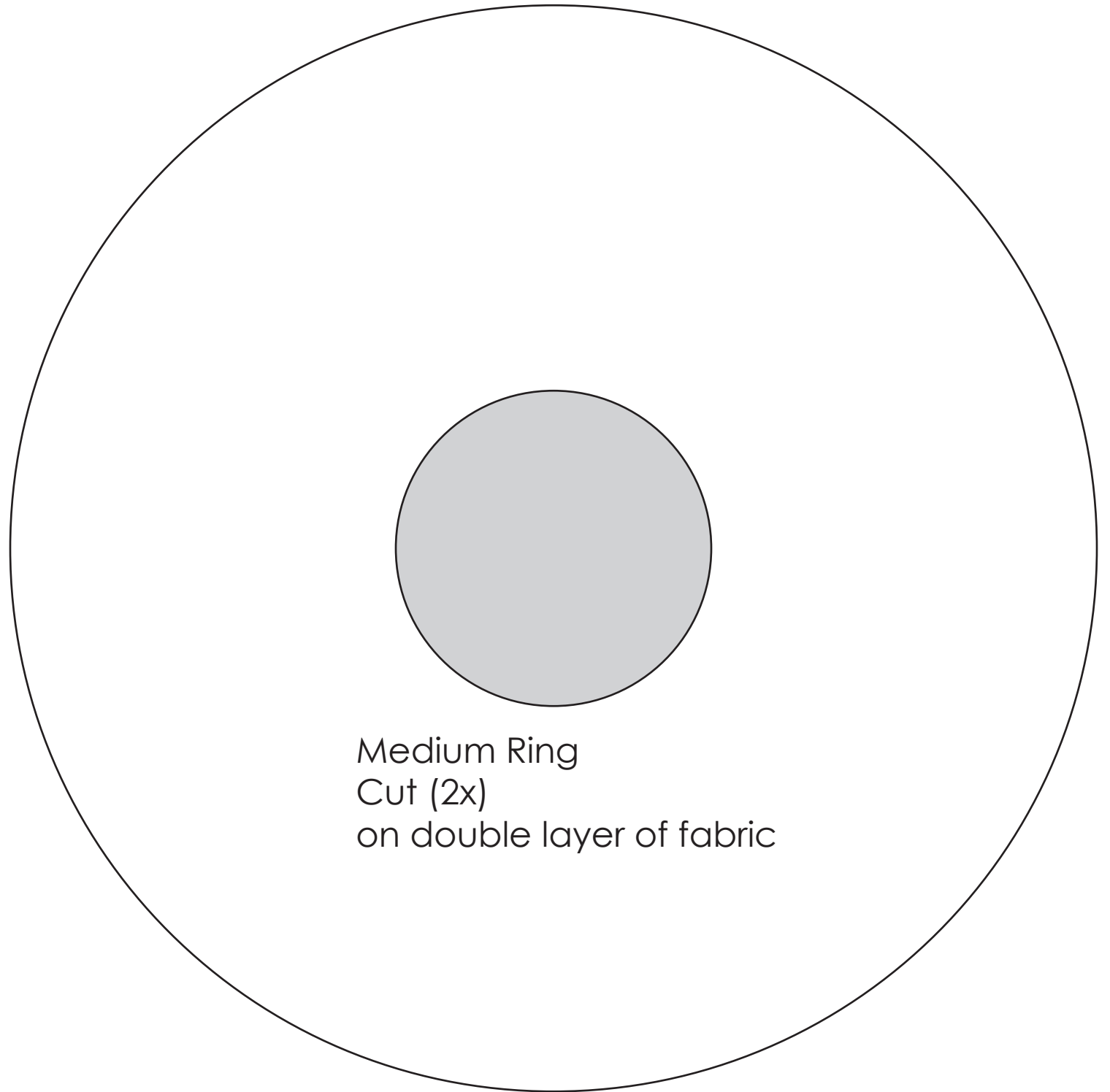


Base Bottom

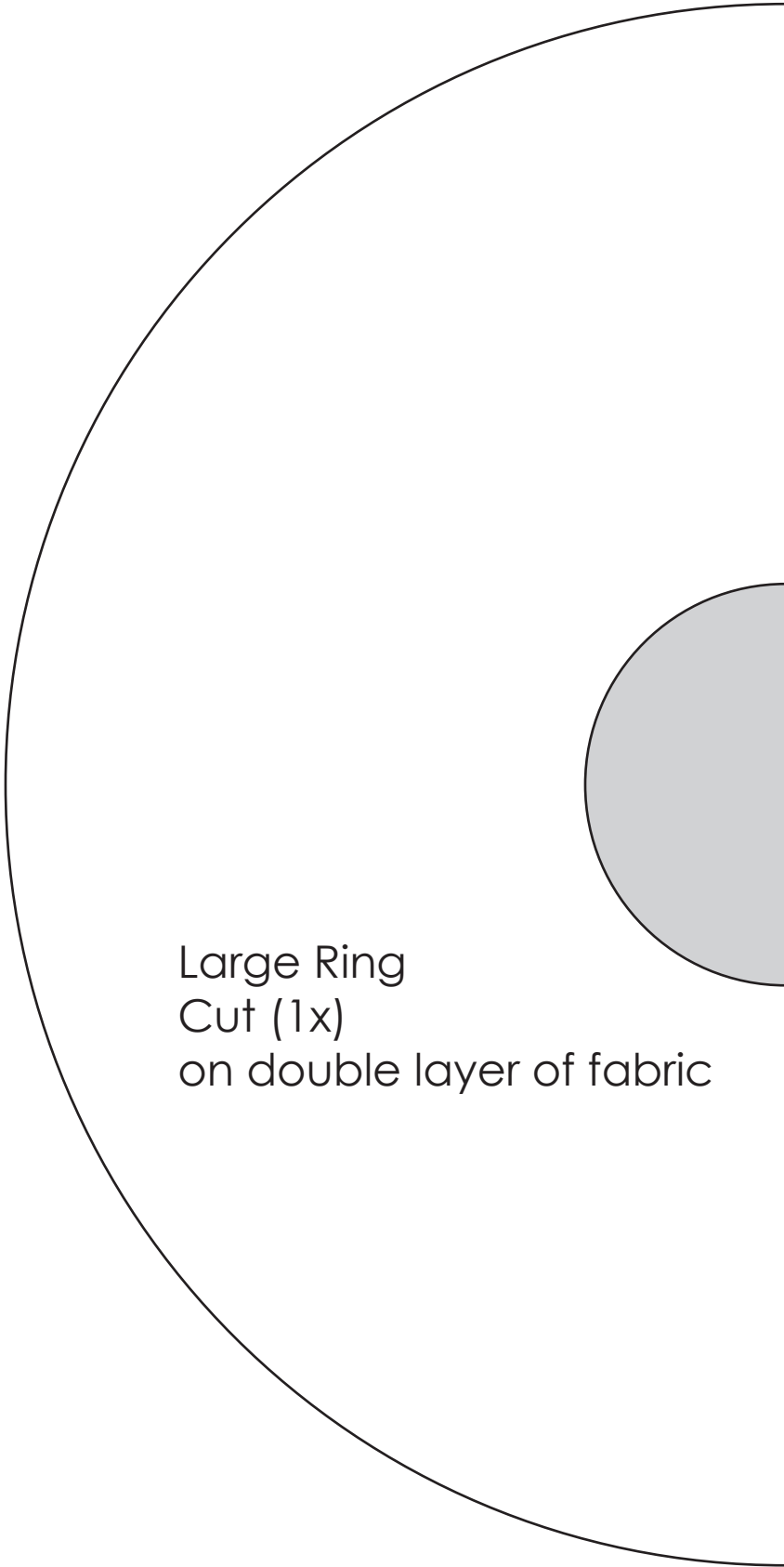
Top

Pole

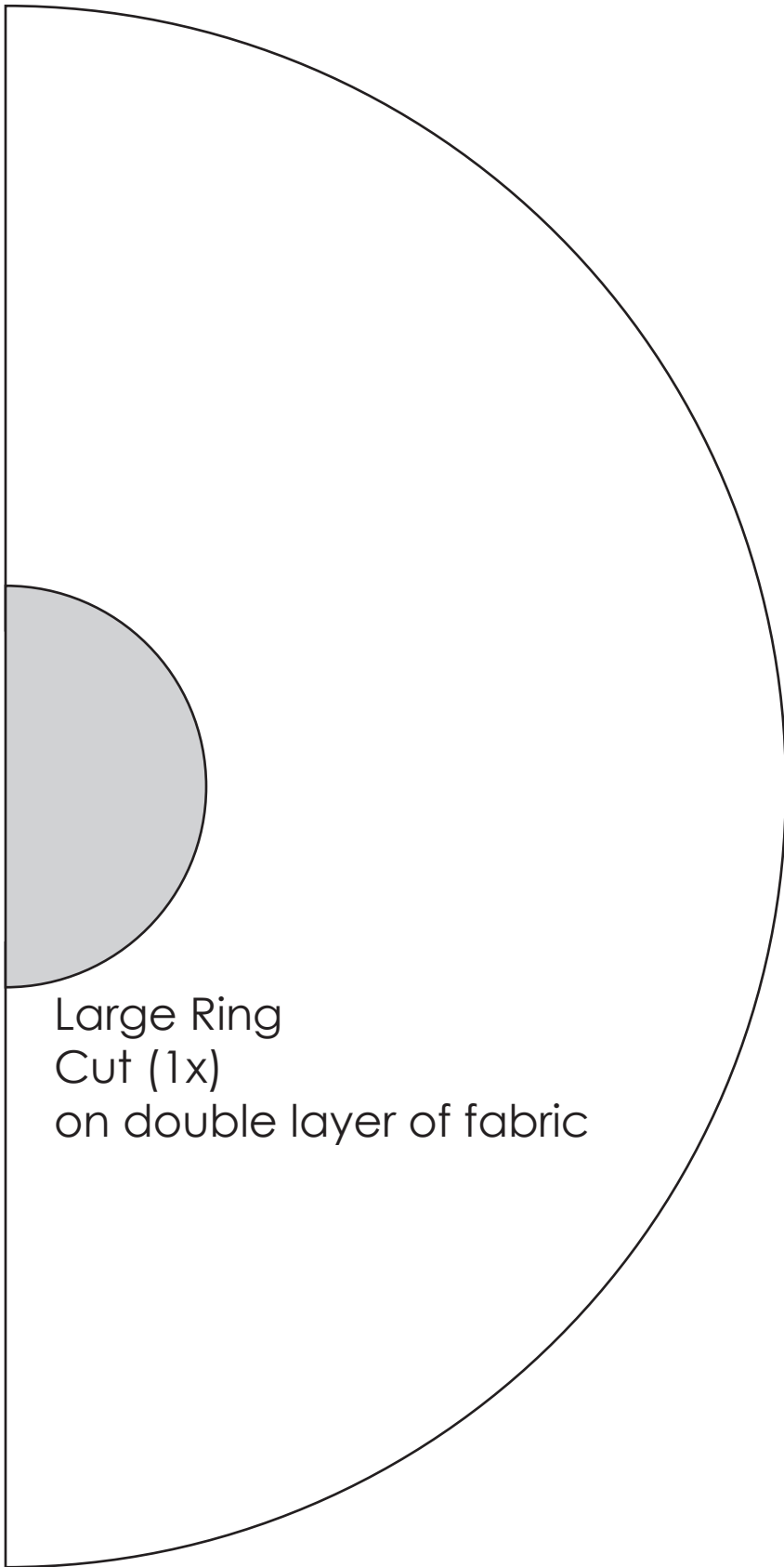




Medium Ring  
Cut (2x)  
on double layer of fabric



Large Ring  
Cut (1x)  
on double layer of fabric



Large Ring  
Cut (1x)  
on double layer of fabric